

LE6181 EXPLOSION-PROTECTED LED LIGHT

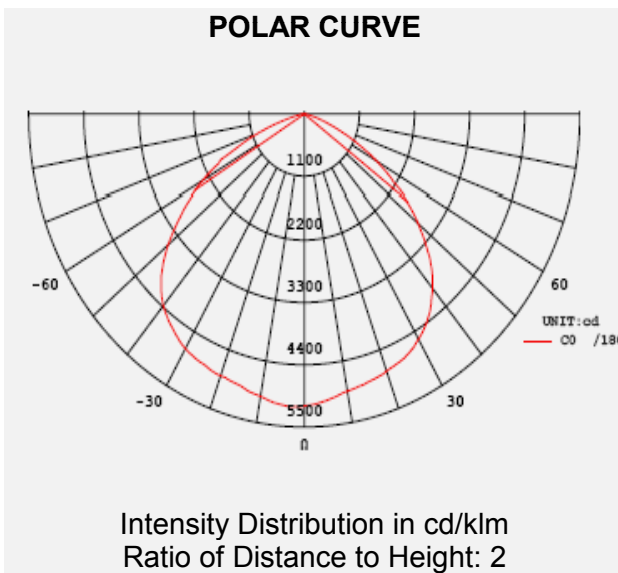


- High explosion-protected grade suitable for Zone 1 & 2
- Energy saving LED light and high luminous efficacy
- Long lifespan and maintenance free for a long time
- Excellent waterproof & dustproof at protection grade IP65
- Easy for wire connection and various installation types

APPLICATIONS

Suitable for hazardous areas in industrial plant workshops, pump rooms, platforms, stations, etc.

TECHNICAL DATA



- Voltage and Frequency : 90V~260V AC 50/60HZ
- Explosion protection : Ex d e mbIICT6 Gb
- Degree of Protection : IP65
- Ambient Temperature : -40°C~+45°C
- Cabling : $\varnothing 10 \sim \varnothing 14 \text{mm}$
- Class of Insulation : Class I
- Enclosure : Made of Aluminum Alloy
- Transparent Cover : Made of Tempered Glass

CERTIFICATES : CE, SASO, ATEX APPROVED

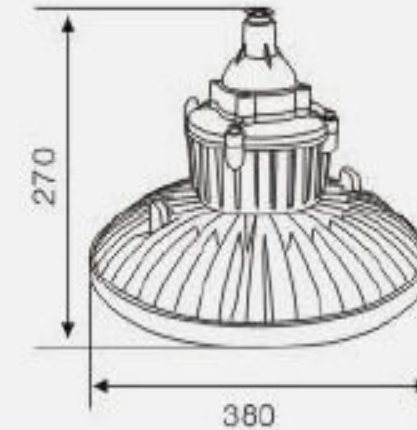
FEATURES

- Explosion-protected grade is Ex d e mbIICT6 Gb which enables the light to work in Zone 1 and Zone 2.
- Application of LED ensures high lighting efficiency, long working life and remarkable energy saving.
- Delicately designed seal structure with protection level of IP65 makes it to be excellent waterproof and dustproof.
- Transparent part made of strengthened tempered glass enables the light to be excellent shockproof.
- Adopting high quality alloy and high-tech spray coating technique, it's also excellent rustproof and anticorrosive.
- The power supply adopts integral heat dissipation technology, with protections against short circuit, over voltage, over heat, etc..

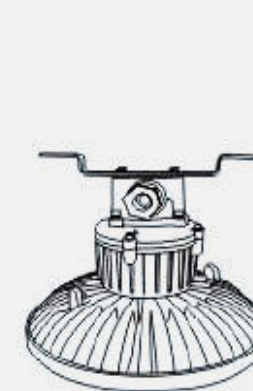
SELECTION TABLE

Model No.	Lamp Type	Lamp Wattage	Luminous Flux	Average Lifespan	Color Temperature	Weight
LE6181	LED	80 W	7360 lm	100000h	5000K~6000K	7.2 kg
LE6181	LED	100 W	9200 lm	100000h	5000K~6000K	7.2 kg
LE6181	LED	150 W	13800 lm	100000h	5000K~6000K	7.2 kg

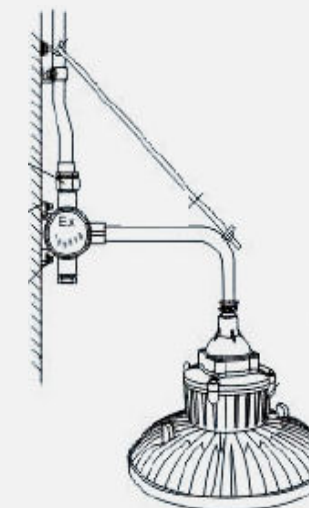
DIMENSIONAL DRAWINGS (in mm)



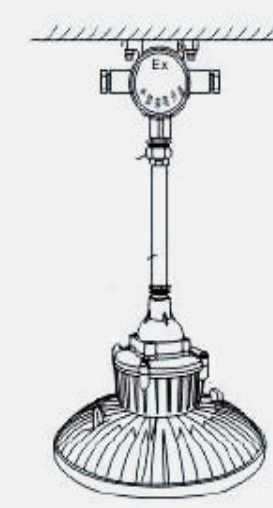
MOUNTING DRAWINGS



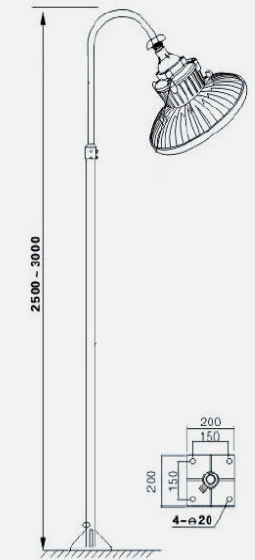
Ceiling Mounting



Wall Mounting



Pendant Mounting by Pole



Pole Mounting