

## LN6015 LED FLOODLIGHT



Energy saving LED light and high luminous efficacy

Long lifespan and maintenance free for a long time

Excellent waterproof and dustproof performance

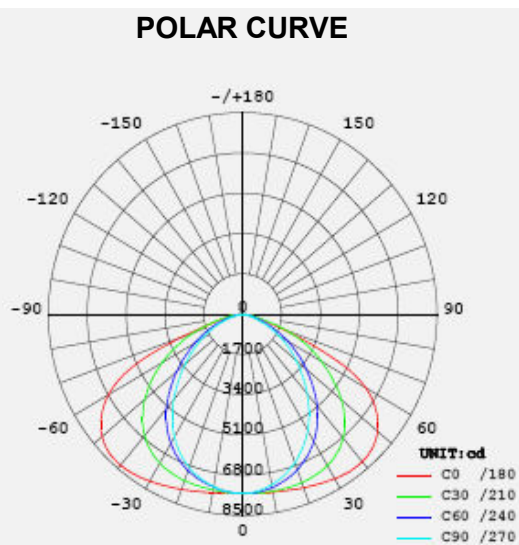
High temperature-resistant design

Anti-shock and anticorrosive structure

### APPLICATIONS

Suitable for industrial plant workshops, tunnels, platforms, stations, passenger ways, exterior boundary walls, etc.

### TECHNICAL DATA



Voltage and Frequency : 100V~240V AC 50/60HZ

Degree of Protection : IP65

Ambient Temperature : -40°C ~ +55°C

Cabling :  $\varnothing 8 \sim \varnothing 14$ mm

Class of Insulation : Class I

Enclosure : Made of Die-casting Aluminum

Transparent Cover : Made of Tempered Glass

**CERTIFICATES : CE, SASO APPROVED**

### FEATURES

Application of Philips or Japan Nichia LED lighting source ensures high lighting efficiency, long working life and remarkable energy saving.

Isolated constant current driver at high power factor, high efficiency and excellent protection performance.

Delicately designed seal structure with high protection level of IP65 to stop water and dust from entering into the light source chamber, thus to prevent the light source from aging, light color fading and damage.

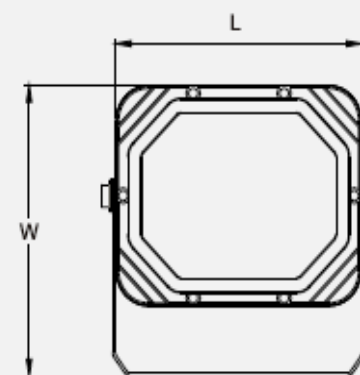
Strong structure and selected quality components enable the light to work at high frequency shaking area.

Adopting high quality die-casting aluminum and high-tech spray coating technique, the lighting fixture is also at excellent rustproof and anticorrosion performance.

## SELECTION TABLE

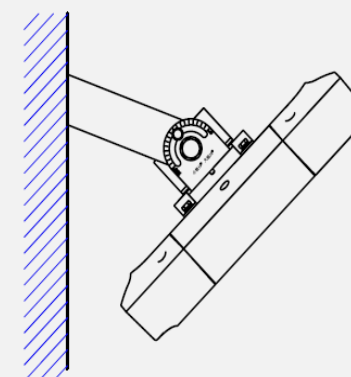
Model No.	Lamp Type	Lamp Wattage	Luminous Flux	Average Lifespan	Color Temperature	Weight
LN6015	LED	60 W	6600 lm	100000h	2700K~6500K	4.0 kg
LN6015	LED	80 W	8800 lm	100000h	2700K~6500K	6.1 kg
LN6015	LED	150 W	16500 lm	100000h	2700K~6500K	8.5 kg
LN6015	LED	180 W	19800 lm	100000h	2700K~6500K	8.6 kg
LN6015	LED	200 W	22000 lm	100000h	2700K~6500K	8.8 kg

### DIMENSIONAL DRAWINGS (in mm)

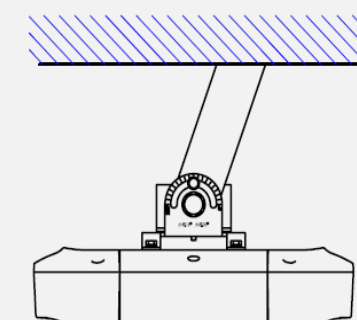


Power(W)	Size L(mm)	Size W(mm)	Size H(mm)
T1501-60W	280	270	100
T1501-80W	280	270	100
T1502-150W	375	400	120
T1502-180W	375	400	120
T1502-200W	375	400	120

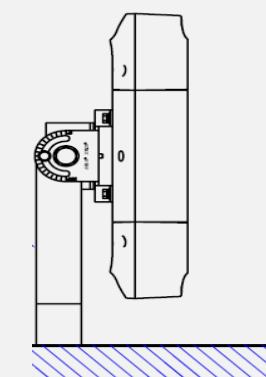
### MOUNTING DRAWINGS



Wall Mounting



Ceiling Mounting



Seat Mounting